



Put Yourself in Power.

ELECTRICITY
HEATING & COOLING EQUIPMENT
HEATING OIL

HEATING EQUIPMENT

*Maintenance &
Protection Plans*

SILVER – WARM AIR

Schedule Your Annual Tune-up
860 342 3500

Annual Tune-Up

Silver

Annual Tune-up + Added Protection

Tank Replacement Allowance

An allowance of \$1,000 is given towards our replacement of a leaking indoor Oil Tank.

Combustion Efficiency Test + Inspect, Clean & Adjust

Belt(s)
CAD Cell Eye
Chimney Base
Electrodes
Fan/Limit Control
Filters
Fuel Pump Strainer
Heat Exchanger
Lubrication
Nozzle (replace)
Oil Filter (replace)
Oil Line (vacuum test)
Oil Line Fittings
Oil Tank
OSV Valve
Pump Pressure
Smoke Pipe
Solenoid Valve
Stack Relay
Temperature Rise
Thermostat
Tube/End Cone

Annual Tune-Up + Parts & Labor Coverage

Air Eliminator (spirovent)
Air Inlet Damper
Aquastats and Wells
Balancing Valve
Baseboard Leak Repair (where accessible)
Blower Bearings & Shaft
Blower Fan Belt
Blower Motor (up to 3/4 HP)
Blower Motors Variable Speed
Blower Pulleys
Blower Squirrel Cage
Boiler Back Flow Preventer
Boiler Domestic Coil Gasket
Boiler Domestic Relief Valve
Boiler Domestic Restrictors
Boiler Low Water Cut Off
Burner Blast Tube (air tube)
Burner Bulk Head Fitting & Nut
Burner Coupling
Burner Delayed Oil Valve
Burner Door Gasket
Burner End Cone
Burner Fan
Burner Flange Gasket
Burner Fuel Pump & Gaskets
Burner Motor
Burner Nozzle, Adapter, Assembly & Line
Burner Observation Door
Burner Porcelains

Burner Riello Hydraulic Jack
Burner Static Plate
Burner Strainer
Burner Universal Flange
CAD Cell Eye
CAD Cell Holder
CAD Cell Relay
Capacitors
Circuit Board (printed)
Circulator Coupling
Circulator Motor (one per year)
Combustion Chamber (3 GPH max)
Draft Regulator up to 9" Diameter
Electrode Assembly
Electrode Porcelains
Electrodes/Igniters/Buss Bars
Emergency Switch
Expansion Tank (drain as needed)
Expansion Tank Valve
Fan & Limit Control
Fan Control Center
Firematic Valve & Switch
Firematic Switch
Flue Pipe Chimney Connector
Ignition Transformer
Ignition Transformer Terminals
Ignition Wiring (minor)
Low Voltage Transformer
Oil Check Valve

Oil Filter (element or cartridge)
Oil Filter Complete
Oil Filter Gasket
Oil Safety Valve
Oil Tank Fill Cap
Oil Tank Gauge (above ground tank only)
Oil Tank Vent Alarm (above ground tank only)
Oil Tank Vent Cap
Pressure Reducing Valve
Primary Control (stack relay)
Stack Relay
Steam Glass Gauge & Washers
Steam Safety Valve (1-1/4 in max)
System 2000 Back Board
System 2000 Digital Sensor
System 2000 Dual Aquastat
System 2000 High Limit
System 2000 Manager
System 2000 Pac/Man
Thermostat (non-program)

Hot Water Heater

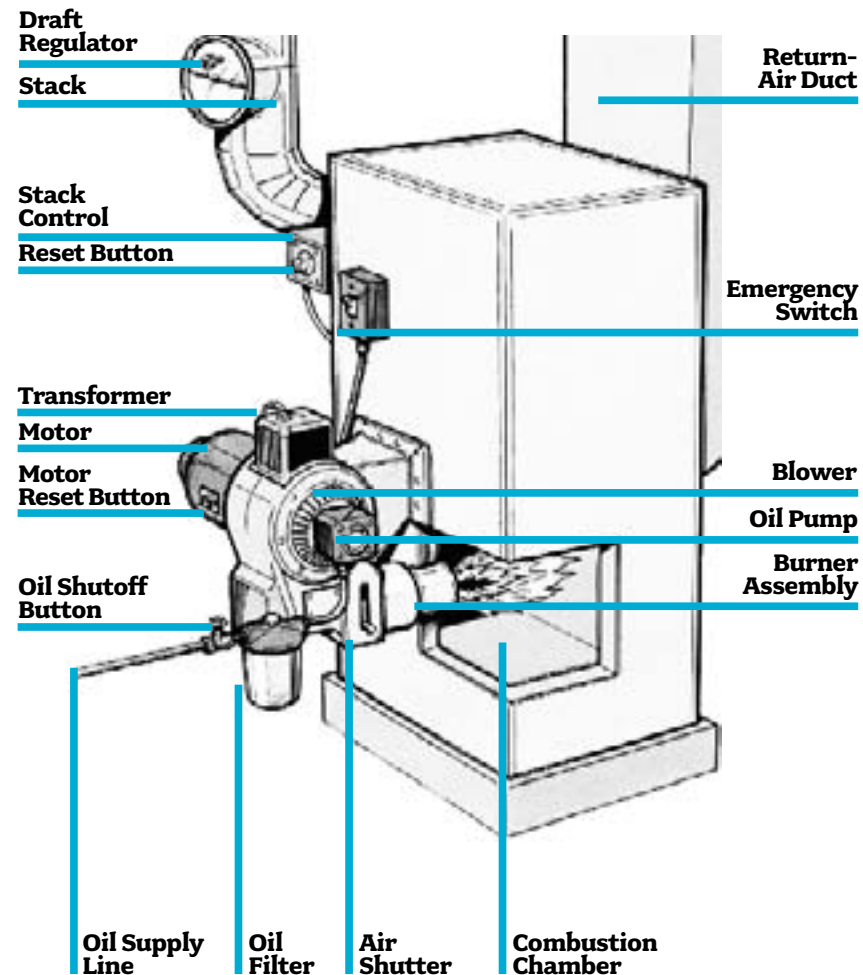
Coverage

Provides repair coverage (parts & labor) to the following parts on oil fired hot water heaters when they become defective due to normal wear and use:

- Aquastat
- Blast Tube
- Burner Coupling
- Burner End Cone
- CAD Cell, Holder & Relay
- Circulator Pump
- Delayed Oil Valves
- Electrodes & Assembly
- Emergency & Firematic Thermal Switch
- Fuel Oil Cartridge
- Ignition Cables & Transformer
- Nozzle Adapter & Assembly
- Oil Burner Fan, Motor, Nozzle, Pump & Strainer
- Stack Relay & Temp/Pressure Relief Valve

Stay Warm All Winter Long

Typical Furnace



A well maintained system not only keeps you warmer, but also reduces your energy consumption. Included in all of our plans is an annual inspection and preventative maintenance; which ensures your heating system is operating at peak efficiency.

860 342 3500
ValleyOilCT.com



36 Brownstone Avenue
Portland, CT 06480
CT LIC# S1-390675 S1-303006 SM1-4438 SM1-4448 HOD# 402

Terms & Conditions

The plans described herein have the following conditions:

This agreement is only available to customers who purchase their entire fuel oil requirements from the Company, on an automatic delivery basis. The cancellation of automatic oil deliveries immediately cancels this agreement.

This agreement cancels and supersedes all prior agreements between the parties for burner service if such existed. This agreement is subject to an inspection by our service department to new plan holders or upon an upgrade in coverage to a higher level service plan. The inspection may take place at any time up to and including the time of the first service call. Initial repairs required to put the burner in an acceptable condition are not covered. Buyer to pay any charges set by federal, state, city or local government.

Heating season is defined as October 1st to April 30th. Normal service hours are Monday through Friday, 8am – 5pm excluding weekends and holidays. Emergency service is defined as no heat, no hot water, serious oil leaks or other dangerous situations. Non-emergency calls and calls during business hours for non-covered parts/service under this agreement will be billed at prevailing rates. Scheduled tune-ups are available under this agreement during normal service hours.

This agreement provides coverage to ordinary residential or comparable commercial installation up to 3 gallons per hour for the specific parts listed. This agreement specifically does not cover GE low pressure and rotary burners and other obsolete equipment, and parts that are obsolete or inaccessible. Calls for service when burner is off due to low water in boiler, electrical service is not available, thermostat set improperly, blown or loose fuses, circuit breakers or switches off and restricted or plugged chimney are not covered. The customer must provide adequate boiler room ventilation for proper combustion, and any asbestos-containing materials must be removed by the customer. This agreement does not cover vacant or unattended homes.

The Company shall not be liable for, and the customer agrees to hold the Company harmless from any and all claims, charges, losses and damages for personal injury and/or property damage, including but not limited to freezing of pipes resulting from delays and/or failure to perform, failure to secure obsolete parts and failure to secure any parts or materials from suppliers. The Company will not be held liable for any incidental or consequential damage, including but not limited to, environmental damage caused by or resulting from any cause. The Company will also not be liable for Acts of God, government, acts of enemies, strikes, riots, labor difficulties, fires, floods or any cause beyond the Company's control, whether similar or dissimilar to the foregoing nor shall the Company in any event be liable to the customer for any personal injury or property damage arising out of or in any way connected with or relating to the performance of this agreement or failure to supply oil (run out) when the customer fails to make payment for fuel oil and/or service within terms.

This agreement is for one year and will be automatically renewed for successive one year terms, unless a 30-day written notice is given by either party prior to the expiration date. Such renewal shall be subject to any price changes by the Company and prevailing at the time of renewal. This agreement is not written on a prorated basis and no refund will be made if cancelled prior to normal expiration date.

This agreement may be cancelled within 30 days of acceptance without liability against either party, except the customer's liability to the Company for services rendered and parts furnished at its regular rates. This agreement may also be canceled by either party, with notice, at any time. If the customer discontinues purchase of fuel oil requirements from the Company, or oil burner is altered, repaired or tampered with by others in any way that, in the opinion of the Company, affects reliability or detracts from the performance of the burner, this agreement will automatically and immediately terminate. The Company also reserves the right to terminate this agreement if the customer fails to remedy conditions identified by the Company as a hazard to life or property. This agreement may not be assigned by the customer without the Company's written consent. Rendering service in any instance shall not be deemed a waiver of the provisions of this agreement as to any other instance.